

Sink FM Marine

Tank on the right

Kitchen Sinks

Code: 1971 961



DETAILS

Edge/Installation Type Standard (8 mm Edge)

Finish Foster brushed

Material Stainless steel AISI 316

Texture Foster brushed

Base 45 cm

Dimensions 860x500 mm

Standard fittings Fixing hooks, gasket, drain, overflow and siphon, boxed packing

Mixer holes 1 standard hole - 2nd hole on request

Built-in hole 840 x 480 mm

Drainer Yes

Width 86 cm

Bowl dimension 362,5x400mm

Number of bowls 1 bowl

Waste fitting 3,5" drain

FEATURES

2nd / 3rd hole available The sink can be customized with the execution on request of additional holes, usable for double-hole mixers, for remote controlled drains or for the installation of soap dispensers. The positions are marked on the drawings with dotted line holes.

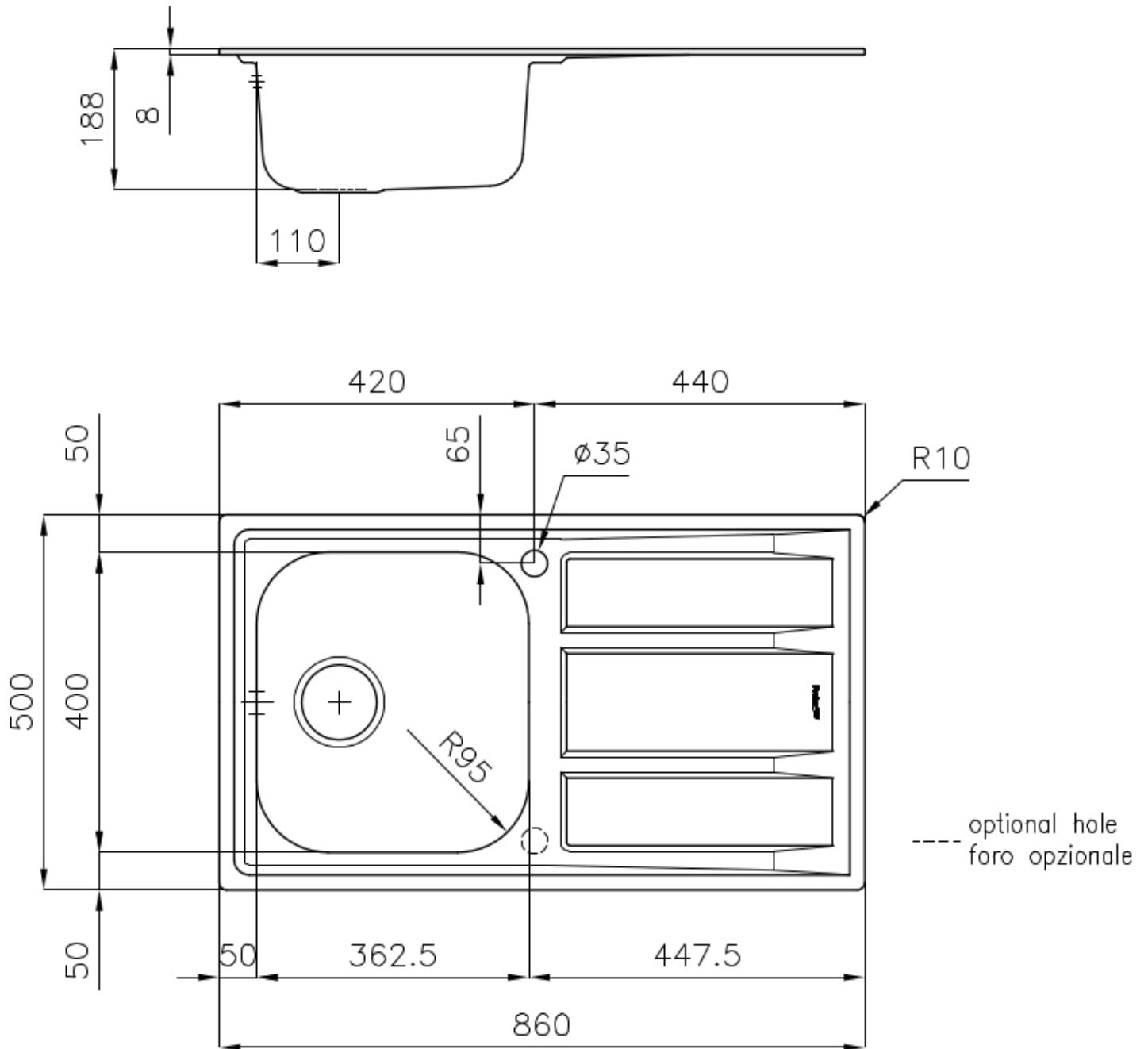
Added value Foster uses steel thicknesses higher than those used on average by other manufacturers. This is how, thanks to our long experience, we know how to make sinks of superior quality and with a better resistance to aging.

Basket 3,5" waste fitting The drain is equipped with a large 3.5" drain, with the practical basket cap that prevents the discharge of solid parts.

Marine stainless steel The Marine collection of sinks and hobs uses AISI 316 stainless steel, a superior quality material and widely used in the marine industry, which guarantees the best resistance to the corrosive effects of acids contained in food, salt and detergents.

Sliding brackets

TECHNICAL DATA



OPTIONAL ACCESSORIES



Glass chopping board
8631 300



HPDE Chopping board
8657 001



Stainless steel basket
8611 000

RECOMMENDED PAIRINGS



Mixer Tap Gamma 3 vie - satin
8496 100



Mixer Tap Lorenzo
8466 000



Mixer Tap NYC
8486 000

OPTIONAL AUTOMATIC WASTE FITTINGS



Automatic waste fitting
8407 100



Automatic waste fitting
8407 000



LIRA automatic waste fitting
8407 103